

CYLINDER SEALS APPLICATION

BUSHING



BACK-UP RING



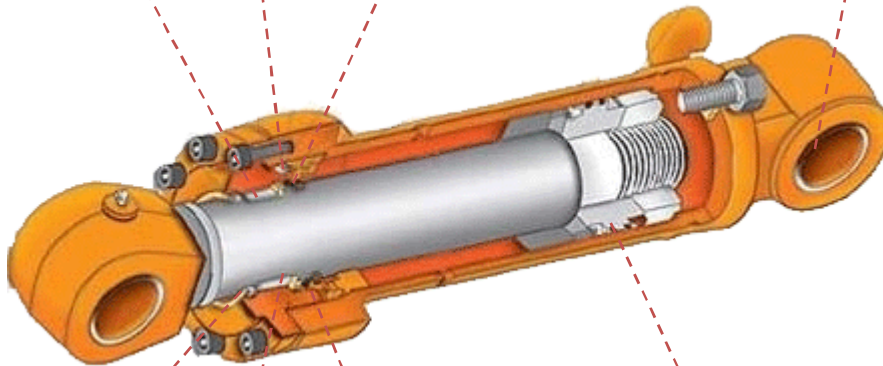
BUFFER SEAL



DLI



SB2



DUST SEAL



O-RING



ROD SEAL



PISTON SEAL